

Product features

Lamp

- Metal iodide 1200 W lamp.
- Type: HTI 1200W/ D7/ ... (2 options, see below).
- Cap: Sfc 10 - 4.
- Luminous flux: 110,000 lm.
- Average Life: 750 h.
- Hot Restrike.

L10055 HTI 1200 W/D7/60 (6,000 K) Osram lamp

L10082 HTI 1200 W/D7/75 (7,500 K) Osram lamp

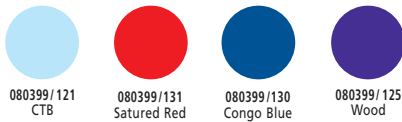
Optics

- Optical unit with optimal luminous efficiency.
- 11° - 55° Electronic Linear Zoom.
- Possibility of obtaining 3 angular apertures (11°, 19°, 25°) without cutting in the Zoom.
- Fresnel Lens: diameter 200 mm, focal length 140 mm.

Colors and Effects

- CMY Color Mixing.
- Color wheel with 4 interchangeable filters (Saturated Red, Congo Blue, CTB at 7500 K, UV filter) plus white.
- Linear CTO.
- 2 frost filters (light and heavy frost).
- Indexable ovalizer with 70° max aperture.
- A state - of - the - art 0 - 100 % dimmer on a dedicated channel.
- Stop/strobe effect.

Standard Color Filters (Ø 57 mm)



The order of the colors depicts the insertion sequence.

Linear CTO



CMY



Electronics and other features

- Long life self - charging buffer battery.
- Pre - set macros.
- "ENERGY SAVING" function: with the stop or total dimmer effect on, or with all the CMY filters full (black), consumption cut by 50 %.
- 115/230V switchable power supply.
- ON/OFF lamp control from the lighting desk.
- Function reset from the lighting desk.
- "HELP" function in the menu.
- "MEMO" function.
- "AUTOTEST" function.
- Possibility to upgrade the software through the DMX 512 input.
- Ethernet connection.
- Electronic check up on each parameter.
- DMX level monitoring on each channel.
- Feedback information for each sensor and encoder.
- Electronic repositioning of the effects.

Technical data

Power supplies

- 200 - 240 V 50/60 Hz • 100 - 120 V 50/60 Hz
- The power supply can be changed over with the built - in selector.

Input power: 1600VA at 230V 50Hz (PFC Electronic Ballast).

Input: DMX 512.

Body

- Aluminium structure with die - cast plastic cover.
- Two side handles for transportation.

Moving body

- Angle: - PAN = 450° - TILT = 252°
- Maximum speeds:
 - PAN = 4.0 sec. (360°) - TILT = 3.2 sec. (252°)
- Resolution:
 - PAN = 1.76° - PAN FINE = 0.007°
 - TILT = 0.98° - TILT FINE = 0.004°
- Automatic repositioning of PAN and TILT after accidental movement not controlled by control unit.
- PAN and TILT lock on 4 and 5 positions respectively.

Cooling

Forced ventilation with axial fans.

Safety devices

- Bipolar circuit breaker with thermal protection.
- Automatic break in power supply in case of overheating.

Recommended working position

Functions in any position.

CE marking

In conformity with the European Union Low Voltage Directive 73/23 and Electromagnetic Compatibility Directive 89/336.

Accessories

Code 183102 / 801
Omega for Clamps fixing supplied (2 pieces)



Code C52175
Clamps (hooks for truss) not included



Code 105041 / 003
Safety cable - not included



CHANNELS

| | Standard | 16 bit | Extended |
|------------|-------------|-------------|-------------|
| Channel 1 | Cyan | Cyan | Cyan |
| Channel 2 | Magenta | Magenta | Magenta |
| Channel 3 | Yellow | Yellow | Yellow |
| Channel 4 | C.T.O. | C.T.O. | C.T.O. |
| Channel 5 | Color Wheel | Color Wheel | Color Wheel |
| Channel 6 | Stop/strobe | Stop/strobe | Stop/strobe |
| Channel 7 | Dimmer | Dimmer | Dimmer |
| Channel 8 | Frost | Frost | Frost |
| Channel 9 | Ovalizer | Ovalizer | Ovalizer |
| Channel 10 | Zoom | Zoom | Zoom |
| Channel 11 | Pan | Pan | Pan |
| Channel 12 | Tilt | Tilt | fine Pan |
| Channel 13 | Reset | Reset | Tilt |
| Channel 14 | Lamp on/off | Lamp on/off | fine Tilt |
| Channel 15 | | fine Pan | Reset |
| Channel 16 | | fine Tilt | Lamp on/off |

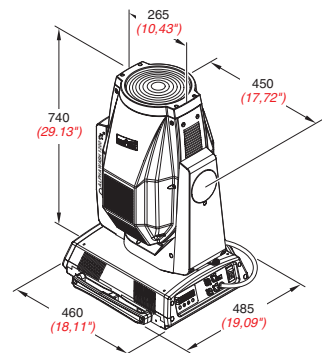
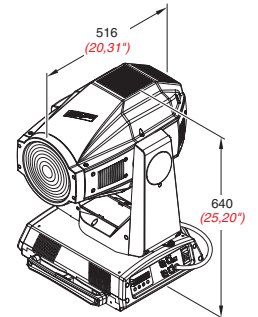
Color filters (Ø 57 mm)

| | |
|------------|---------------|
| 080399/101 | Light Blue |
| 080399/102 | Yellow |
| 080399/103 | Green |
| 080399/104 | Violet |
| 080399/105 | Red |
| 080399/106 | Pink |
| 080399/107 | Orange |
| 080399/110 | Azure |
| 080399/111 | Dark Blue |
| 080399/112 | Medium Blue |
| 080399/113 | Dark Amber |
| 080399/114 | Dark Green |
| 080399/115 | Light Green |
| 080399/116 | Turquoise |
| 080399/117 | Primary Red |
| 080399/119 | Light Orange |
| 080399/120 | CTO |
| 080399/121 | CTB |
| 080399/123 | Magenta |
| 080399/124 | Deep Red |
| 080399/125 | UV light |
| 080399/130 | Congo Blue |
| 080399/131 | Saturated Red |

Sales Codes

| | |
|---------|--|
| C 61072 | ALPHA WASH 1200 |
| F21170 | Foam Shell |
| F21162 | Flight case for 2 projectors (including 2 foam shells) |

Dimensions (mm) and weight



35,8 kg (79 lbs)

